



COMPACT DESIGN  
**BIG PERFORMANCE**

# SKID STEER

EN

GS800G / GS800 /  
GS900 / GS850T /  
GS950T



**GIANT**<sup>®</sup>  
BY TOBROCO

[WWW.TOBROCO-GIANT.COM](http://WWW.TOBROCO-GIANT.COM)



# SPECIFICATIONS

## TECHNICAL DATA

TYPE	GS800G	GS800	GS900	GS850T	GS950T
Service weight <sup>1</sup>	750 kg	795 kg	810 kg	1.036 kg	1.036 kg
Lifting capacity	445 kg	445 kg	445 kg	576 kg	576 kg
Tipping load <sup>2</sup>	395 kg	395 kg	395 kg	970 kg	970 kg
<b>DIMENSIONS AND SPEED</b>					
Lifting height <sup>2</sup>	2.100 mm	2.100 mm	2.100 mm	2.060 mm	2.060 mm
Length without bucket	1.371 mm	1.371 mm	1.371 mm	1.371 mm	1.371 mm
Width on standard tyres	1.090 mm	1.090 mm	1.090 mm	900 mm	900 mm
Standard tyres	22x11-8 All Ground	22x11-8 All Ground	22x11-8 All Ground	-	-
Rubber tracks	-	-	-	Tracks 180	Tracks 180
Travel speed	0-6 km/h	0-6 km/h	0-6 km/h	0-6 km/h	0-6 km/h
<b>ENGINE</b>					
	<b>Honda GX630</b>	<b>Kubota D722</b>	<b>Kubota D902</b>	<b>Kubota D722</b>	<b>Kubota D902</b>
Cylinders	2	3	3	3	3
Engine power	21 HP / 15,5 kW	20 HP / 15 kW	25 HP / 17,5 kW	20 HP / 15 kW	25 HP / 17,5 kW
Type	Gasoline	Diesel	Diesel	Diesel	Diesel
Fuel tank capacity	23 l	23 l	23 l	23 l	23 l
Oil capacity	41 l	41 l	41 l	41 l	41 l
<b>POWERTRAIN</b>					
Type	Hydrostatic 4 wheel drive				
Control	Skid steers and front/rear by means of spring-loaded drive levers				
Final drive	4 heavy Parker wheel motors				
Driving hydraulics	180 bar	180 bar	180 bar	180 bar	180 bar
Working hydraulics	26 l/min (180 bar)	37 l/min (180 bar)	37 l/min (180 bar)	37 l/min (180 bar)	37 l/min (180 bar)

## STANDARD MACHINE FEATURES

TYPE	GS800G	GS800	GS900	GS850T	GS950T
GIANT Compact mechanical hitch	Std	Std	Std	Std	Std
1x Double acting hydraulic function on lifting arm, mechanical	Std	Std	Std	Std	Std
Hip bracket adjustable	Std	Std	Std	Std	Std
Single-side hydraulic hold on additional function	Std	Std	Std	Std	Std
Parallel guidance on lifting arm	Std	Std	Std	Std	Std
Counterweights integrated into the mudguards	Std	Std	Std	Std	Std
Height-adjustable driver's platform	Std	Std	Std	Std	Std
Hand throttle	Std	Std	Std	Std	Std
Oil cooler	Std	Std	Std	Std	Std
Lifting eyes	Std	Std	Std	Std	Std

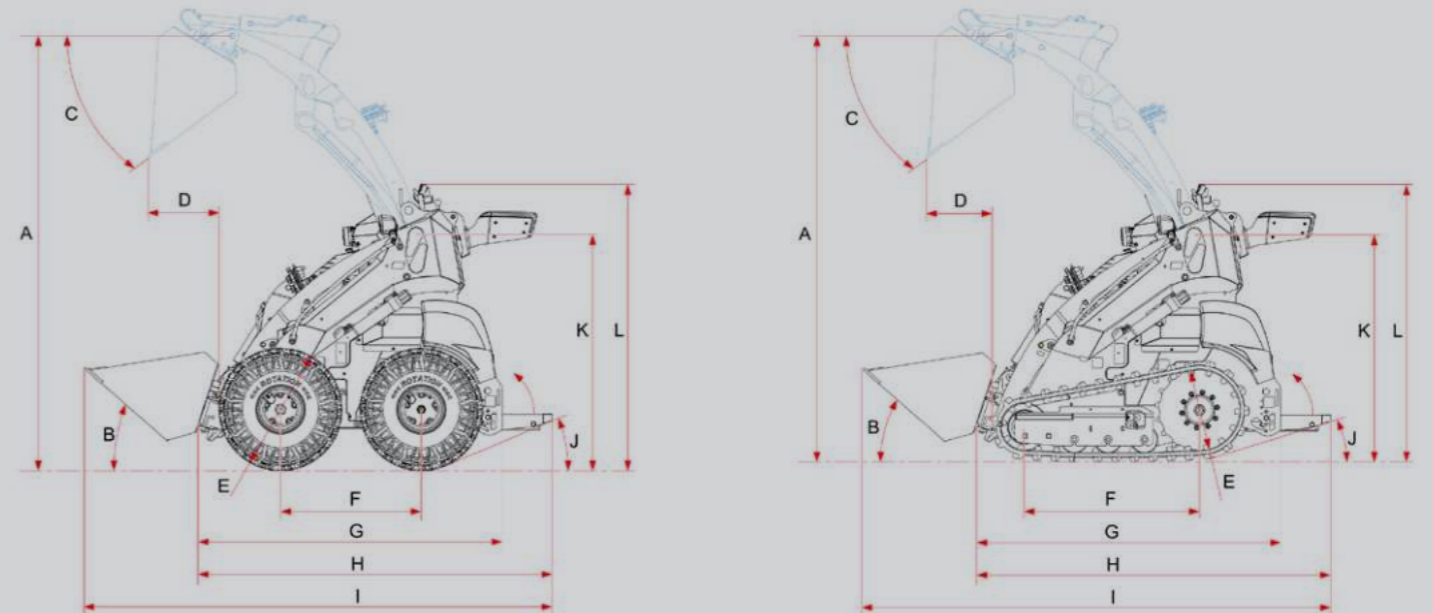
<sup>1</sup> Measured with earthbucket

<sup>2</sup> Measured on hinge point in straight position

<sup>3</sup> Measured on standard tyres

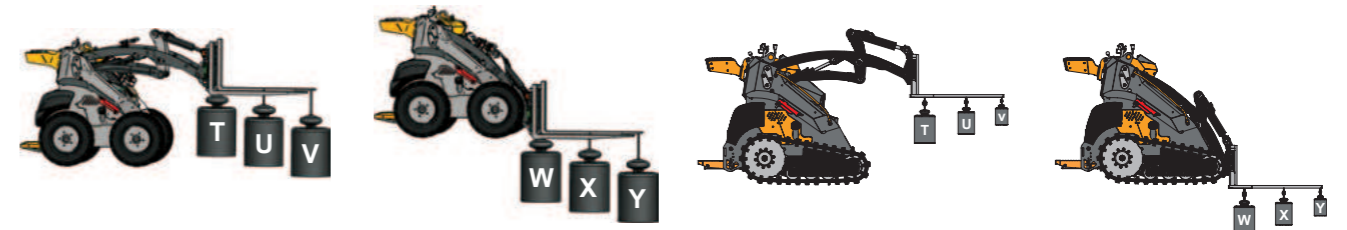
## MEASUREMENTS

	GS800G	GS800	GS900	GS850T	GS950T
<b>A</b> Max. bucket pivot height	2.100 mm	2.100 mm	2.100 mm	2.030 mm	2.030 mm
<b>B</b> Overtake angle, bottom (max.)	41°	41°	41°	41°	41°
<b>C</b> Tipping angle (max.)	39°	39°	39°	35°	35°
<b>D</b> Scope	321 mm	321 mm	321 mm	330 mm	330 mm
<b>E</b> Tire diameter	ø 590 mm	ø 590 mm	ø 590 mm	-	-
<b>F</b> Wheelbase	660 mm	660 mm	660 mm	830 mm	830 mm
<b>G</b> Total length (without bucket, driver's platform folded)	1.371 mm	1.371 mm	1.371 mm	1.435 mm	1.435 mm
<b>H</b> Total length (without bucket, driver's platform folded out)	1.580 mm	1.580 mm	1.580 mm	1.675 mm	1.675 mm
<b>I</b> Total length	2.200 mm	2.200 mm	2.200 mm	2.230 mm	2.230 mm
<b>J</b> Drive-up angle	max. 20°	max. 20°	max. 20°	17°	17°
<b>K</b> Max. dumping height	1.243 mm	1.243 mm	1.243 mm	-	-
<b>L</b> Machine height	1.362 mm	1.362 mm	1.362 mm	1.320 mm	1.320 mm



## TIPPING LOAD

	GS800G	GS800	GS900	GS850T	GS950T
<b>T</b>	475 kg	475 kg	475 kg	970 kg	970 kg
<b>U</b>	315 kg	315 kg	315 kg	525 kg	525 kg
<b>V</b>	225 kg	225 kg	225 kg	360 kg	360 kg
<b>W</b>	650 kg	650 kg	650 kg	2.267 kg	2.267 kg
<b>X</b>	395 kg	395 kg	395 kg	736 kg	736 kg
<b>Y</b>	260 kg	260 kg	260 kg	439 kg	439 kg



Tipping load = without counterweights.

Measured with GIANT hitch. The above values may deviate for other types of hitches.

# ALL MODELS

TOBROCO-GIANT has been manufacturing high-quality GIANT machines and attachments since 1996 when we opened our first factory in The Netherlands. Today, TOBROCO-GIANT offers one of the broadest product portfolios in the business with 35 different models sold in 60 countries. TOBROCO-GIANT supplies machines with service weight from 750 kg until 6.000 kg with engines from 20 hp up to 76 hp for the worldwide machine market. Which machine will you choose?



**GS800G** **GS850T**  
**GS800** **GS950T**  
**GS900**



**G1100 (TELE)**  
**G1200 (TELE)**



**G1500 (X-TRA)**



**G2200E (X-TRA)** 




**G2300 (X-TRA) HD**



**G2500 (X-TRA) HD**



**G2700 (X-TRA / TELE) HD**  
**G2700 (X-TRA / TELE) HD+**  
**G2700E (X-TRA / TELE)** 



**G3500 (X-TRA / TELE)**



**G5000 (X-TRA / TELE)**



**GT5048**




**VIBRATORY PLATES**  
**E-VIBRATORY PLATS** 



**VIBRATORY RAMMERS**  
**E-VIBRATORY RAMMERS** 



**REVERSIBLE VIBRATORY PLATES**  
**E-REVERSIBLE VIBRATORY PLATES** 

 *Electric*



**GIANT**<sup>®</sup>  
BY TOBROCO

**TOBROCO-GIANT**

Sprendlingenstraat 57, 5061 KM Oisterwijk (Niederlande)

Tel.: +31 (0)13-5211212 | Fax: +31 (0)13-5234045

Internet: [www.tobroco-giant.com](http://www.tobroco-giant.com) | E-Mail: [info@tobroco-giant.com](mailto:info@tobroco-giant.com)

Article number and version number:  
P00T3SKIDEN V123



**CONNECT WITH US**

All technical data in this brochure refer to under Central European operating conditions tested series models and describe the standard functions. Specifications and their modes of operation, as well as accessories, depend on the model and the options of the product, as well as country-specific regulations in the country of sale. Images may show non-listed or non-standard available products. The descriptions, illustrations, weights and technical data are not binding and are in accordance with the state of the art at the time of going to press. Changes in the design, equipment, optics and technology are due to the continuous development of its products without prior notice. Do you need special functions which are only available through the use of additional components and / or under special circumstances, please contact us! We will be happy to answer your questions and let you know whether and under what conditions regarding the product and the environmental conditions special functions are realizable. When doubts about the capacity or the performance of our products under special circumstances, we recommend to perform under controlled conditions. Testing activities despite the utmost care, we cannot rule out deviations from illustrations or dimensions, calculation errors, misprints or omissions in this brochure. We therefore accept no liability for the correctness and completeness of the information contained in this brochure. As part of our General Terms and Conditions, we guarantee the proper functioning of our products. Furthermore Linear guarantees we provide in principle. A further liability than outlined in our Terms and Conditions is excluded.

